

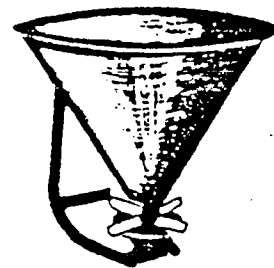
RONDINI F.lli s.n.c

COSTRUZIONE MACCHINE AGRICOLE

42010 S. GIOVANNI di NOVELLARA (RE) Italy

TEL. (0522) 657148

TELEFAX (0522) 657366

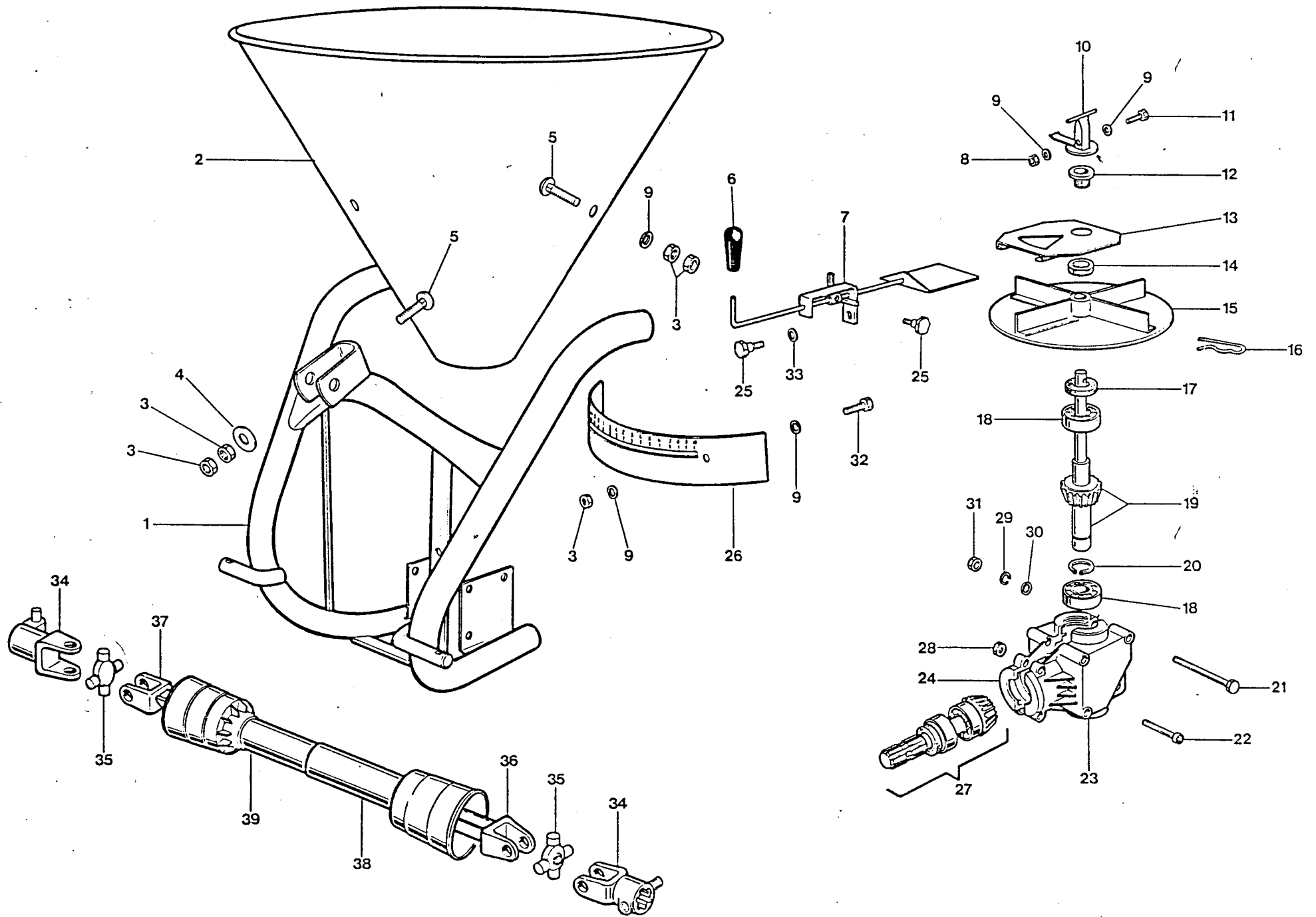


SPARE PARTS CATALOG

FERTILIZER SPREADER MOD. **TOY**

Mod : **TOY P50 P100 P150**

Cod. 03.150.00.00



Pos.	Denomination	Q.ty	Code
1	FRAME	1	03.150.01.00
2	HOPPER TOY P/50	1	03.050.02.00
2a	HOPPER TOY P/100	1	03.100.02.00
2b	HOPPER TOY P/150	1	03.149.02.00
3	NUT M 8	8	04.000.05.00
4	WASHER Ø 8 x 32	1	03.000.04.00
5	CYL. SCREW M 8 x 25	3	02.000.50.00
6	SHUTTER REGULATION KNOB	1	02.000.34.00
7	SHUTTER ADJUSTING DEVICE	1	02.000.19.00
8	SELF-LOCKING NUT M 8	1	04.000.38.00
9	WASHER Ø 8 x 17	8	04.000.07.00
10	STATIONARY STIRRER	1	03.000.10.00
11	HEX. SCREW M 8 x 35 8.8.	1	03.000.11.00
12	THREADED BUSHING	1	02.000.07.00
13	MOBILE SHUTTER	1	02.000.48.00
	NUT M 30 BPF	1	02.000.47.00
15	SPREADER DISC	1	02.000.46.01
16	R SHAPED COTTER PIN Ø 5	1	02.000.43.00
17	SEAL RING 25 x 37 x 5	1	04.150.48.01
18	BEARING 6205	2	04.150.49.01
19	OUTGOING SHAFT	1	03.150.19.01
20	SPRING RING Ø 25	1	04.150.24.01
21	HEX. SCREW M 10 x 110	3	04.000.53.00
22	ALLEN SCREW M 8 x 45 8.8.	3	04.150.27.01
23	R.S. HALF BOX L150	1	04.150.58.01
24	L.S. HALF BOX L 150	1	04.150.54.01
25	HAND WHEEL M 6 x 15	2	02.000.20.00
26	GUARD	1	03.000.26.00
27	INGOING SHAFT	1	04.150.59.00
28	NUT M 8 5588	3	04.150.50.01
29	SPRING WASHER Ø 10	3	04.000.56.00
30	WASHER Ø 10 x 21	3	04.000.57.00
31	NUT M 10	3	04.000.55.00
32	HEX. SCREW M 8 x 16	2	02.000.16.00
33	WASHER Ø 6 x 18	1	03.000.33.00
34	JOINT EXTERNAL FORK	2	04.000.21.00
35	SPIDER	2	04.000.60.00
36	FORK WITH EXTERNAL TUBE	1	03.060.36.00
37	FORK WITH INTERNAL TUBE	1	03.060.37.00
38	JOINT EXTERNAL GUARD	1	03.060.38.00
39	JOINT INTERNAL GUARD	1	03.060.39.00
	JOINT ASSEMBLY	1	03.150.60.00
	GEAR BOX ASSEMBLY	1	03.150.71.01